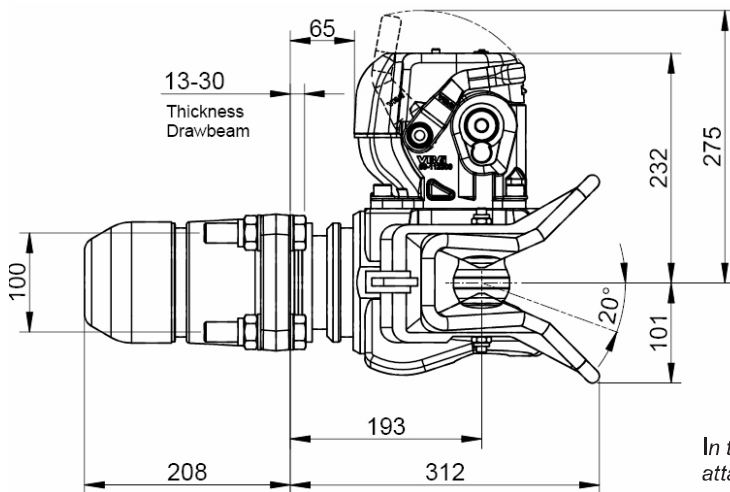


VBG 795V



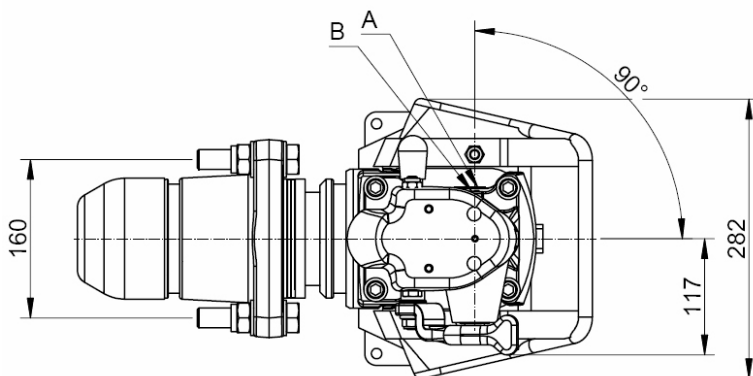
Coupling VBG 795V is intended for heavy centre-axle trailers, twin steering axle trailers and dollies fitted with drawbar eyes in accordance with VBG standard Ø 57 mm.

A well-conceived and user-friendly design guarantees that the coupling is operationally reliable and durable, and ensures low running costs. The well-proven attachment package, with its large bearing surfaces, has been adapted for large vertical tensions.



In the event of an accident, the coupling can rotate 360° in its attachment.

General tolerance +/- 10 mm.



SPECIFICATIONS

| Coupling VBG 795V | Part no. 09-052000 | | Hole pattern, drawbeam | 160 x 100 mm |
|---------------------|--------------------|---------------|------------------------|-----------------|
| Performance values | Alternative 1 | Alternative 2 | Intended for eye: | Ø 57 mm VBG Std |
| D (kN) | 290 | 290 | Dead weight | 60 kg |
| D _C (kN) | 145 | 130 | EU coupling class | S |
| V (kN) | 95 | 75 | Type approval no. | e4*94/20*1699 |
| S (kg) | 1000 | 2000 | | E4*55R-010065 |