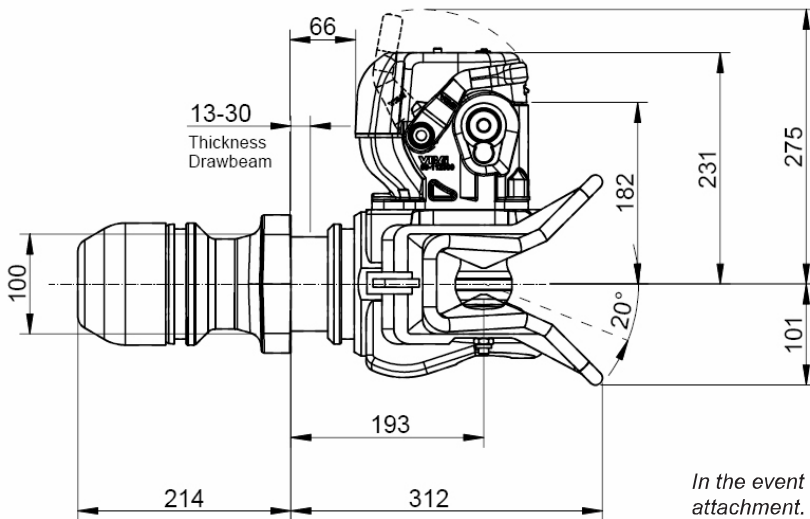


# VBG 750V



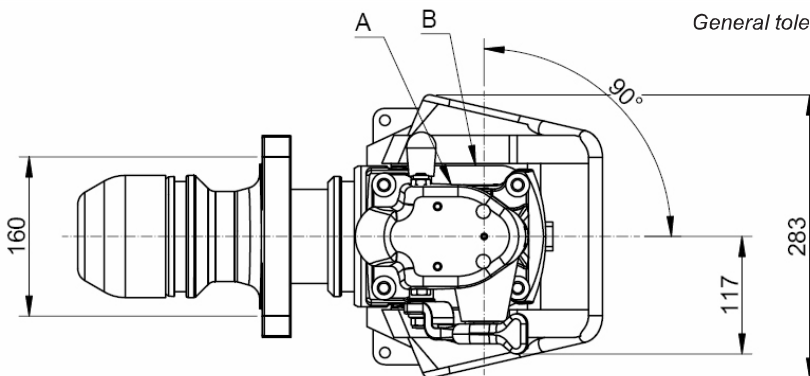
Coupling VBG 750V is intended for centre-axle trailers, twin steering axle trailers and dollies fitted with drawbar eyes in accordance with VBG standard Ø 57 mm.

A well-conceived and user-friendly design guarantees that the coupling is operationally reliable and durable, and ensures low running costs.



*In the event of an accident, the coupling can rotate 360° in its attachment.*

*General tolerance +/- 10 mm.*



## SPECIFICATIONS

**Coupling VBG 750V**  
**Performance values**

**Part no. 09-052500**

D 190 kN  
D<sub>c</sub> 120 kN  
V 50 kN  
S 1000 kg

Hole pattern, drawbeam  
Intended for eye  
Dead weight  
EU coupling class  
Type approval no.

160 x 100 mm  
Ø 57 mm VBG Std  
55 kg  
S  
e4\*94/20\*1698  
E4\*55R-010063