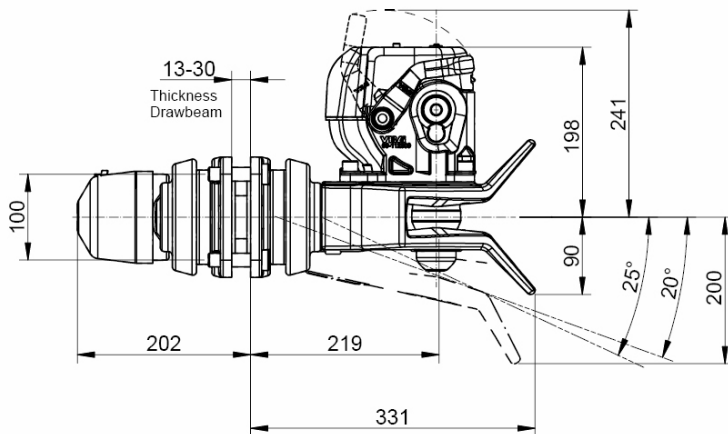




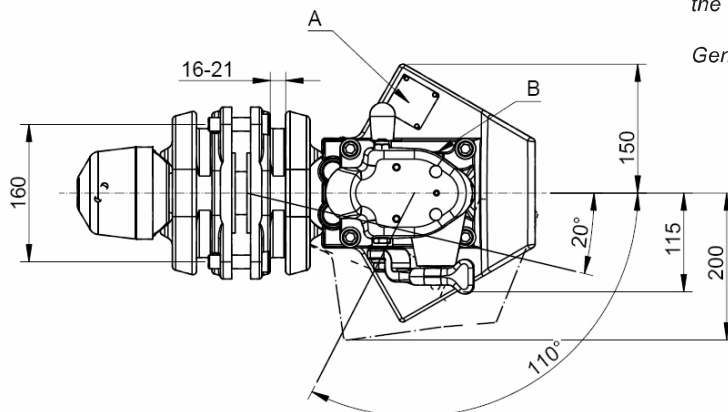
The comfort coupling for trailers with articulated drawbar and 57 mm drawbar eye. The small number of component parts and robust design ensure low running costs and reliable operation.

The well-proven attachment package means first-rate driving comfort, while the automatically functioning lock pin also simplifies handling.



With a rotation of up to 40° the coupling returns to its normal position when the load is released. In the event of an accident, the coupling can rotate 360° in its attachment.

General tolerance +/- 10 mm.



SPECIFICATIONS

Coupling VBG 760

Performance values

Hole pattern, drawbeam

Intended for eye

Dead weight

EU coupling class

EU approval no.

Part no. 05-075500

D 200 kN

160 x 100 mm

Ø 57 mm VBG Std

42 kg

S

e4*94/20*0475

E4*55R-010064

Angular displacement for eye

Horizontally

Vertically

Axially

± 110°

± 30°

± 40°